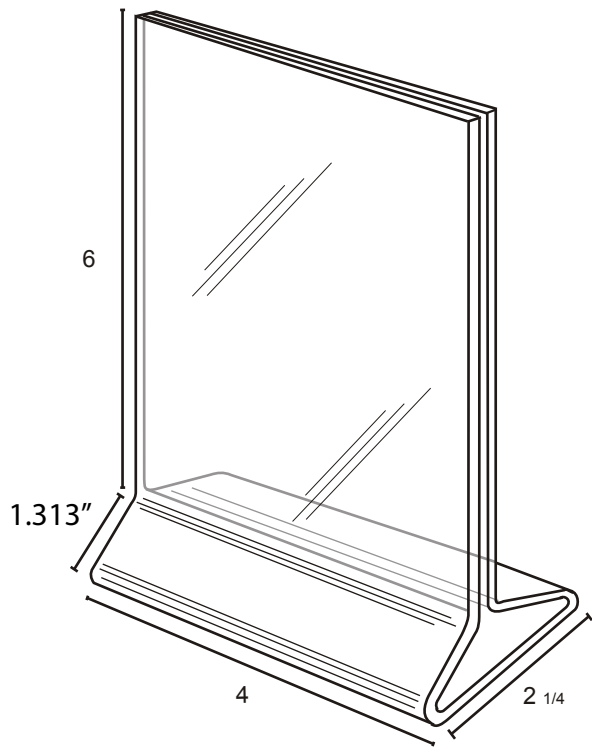
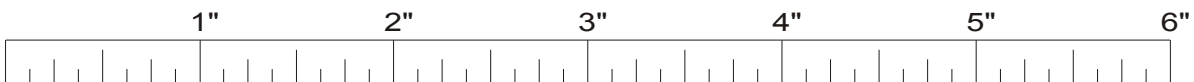
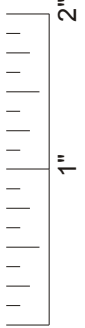


Maximum Printing Area  
.75" X 3.8"



# LHB-46