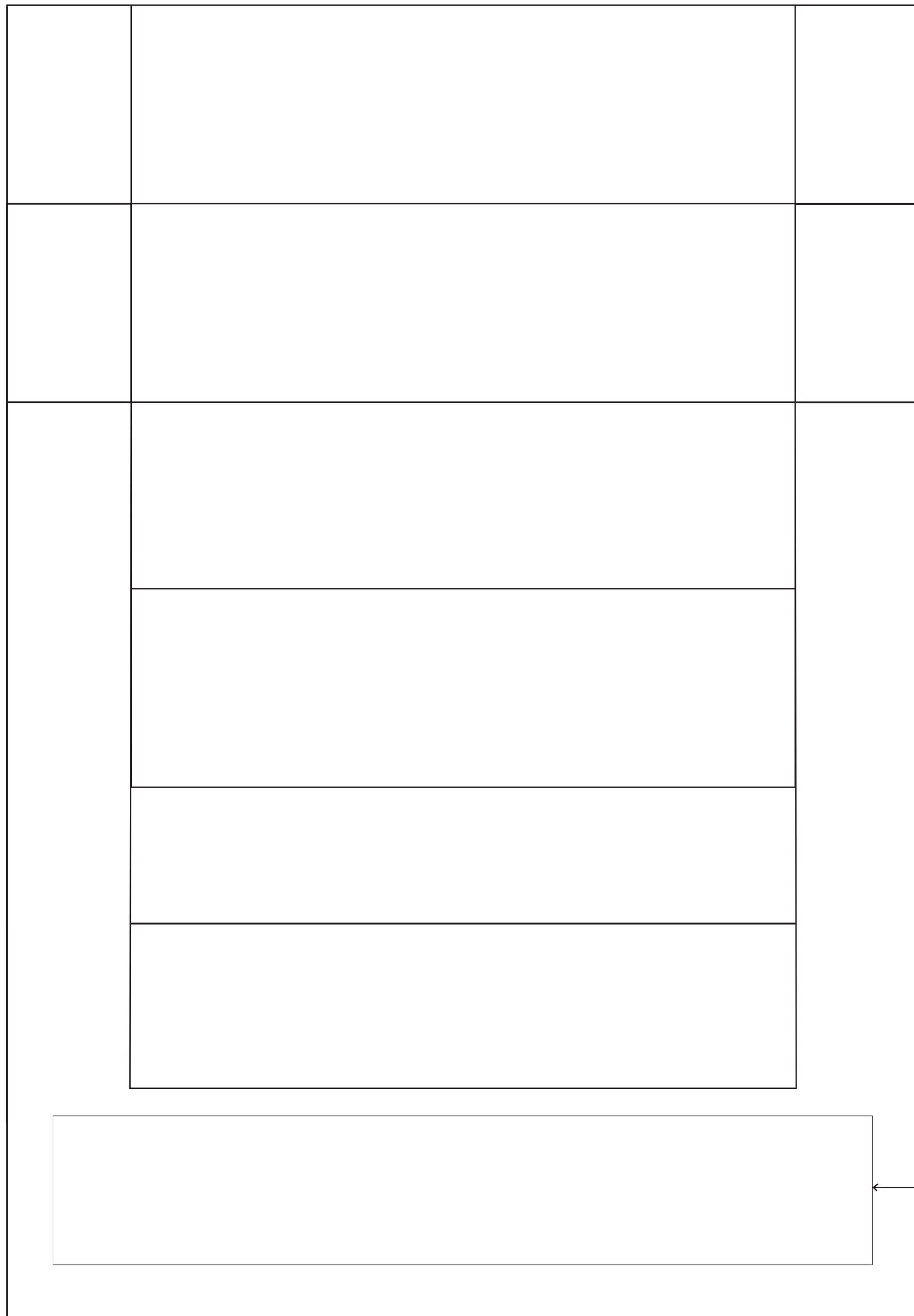
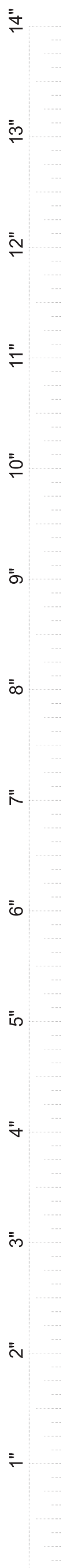
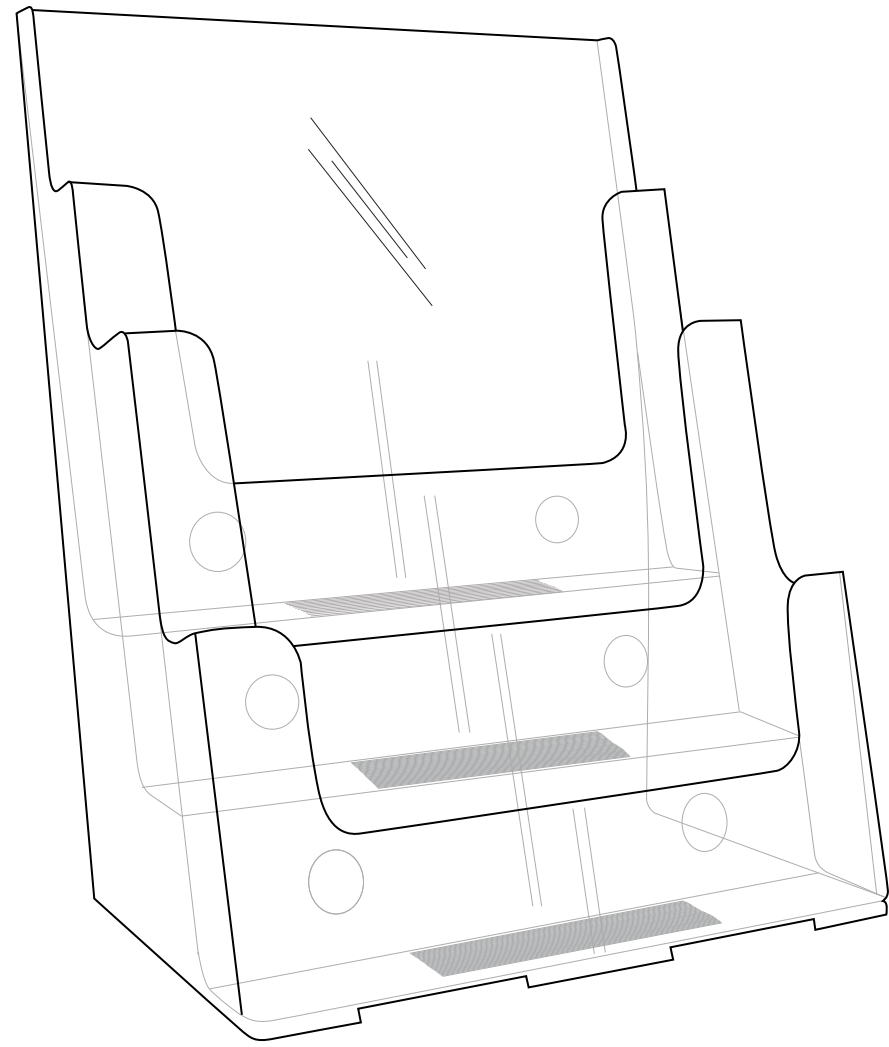


Item#: LHF-S83  
THREE TIERED STYRENE HOLDER- FOR MATERIAL 8 1/2" WIDE



**Maximum Printing Area**

8 1/4"W x 1 1/2"H

