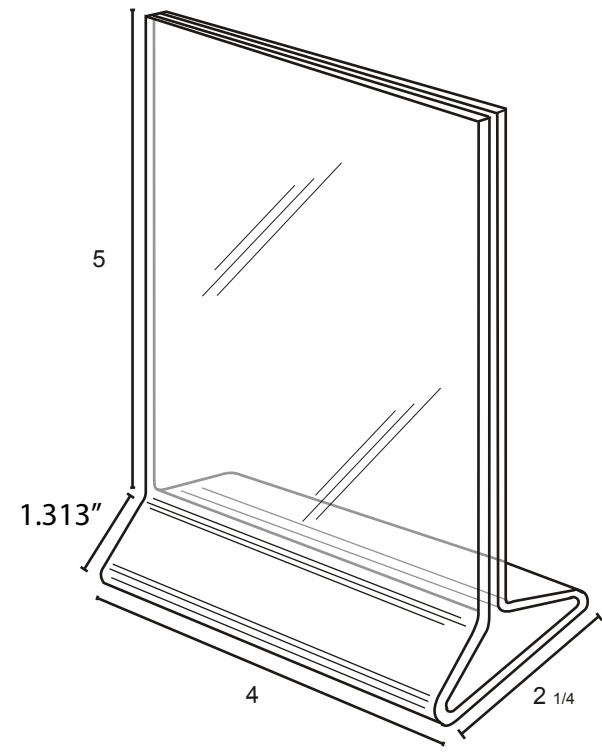
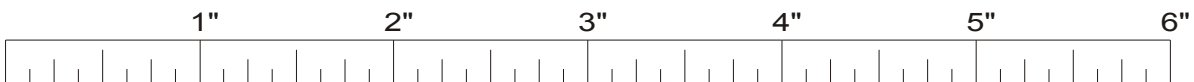
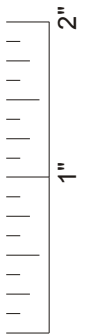


Maximum Printing Area
.75" X 3.8"



LHB-45